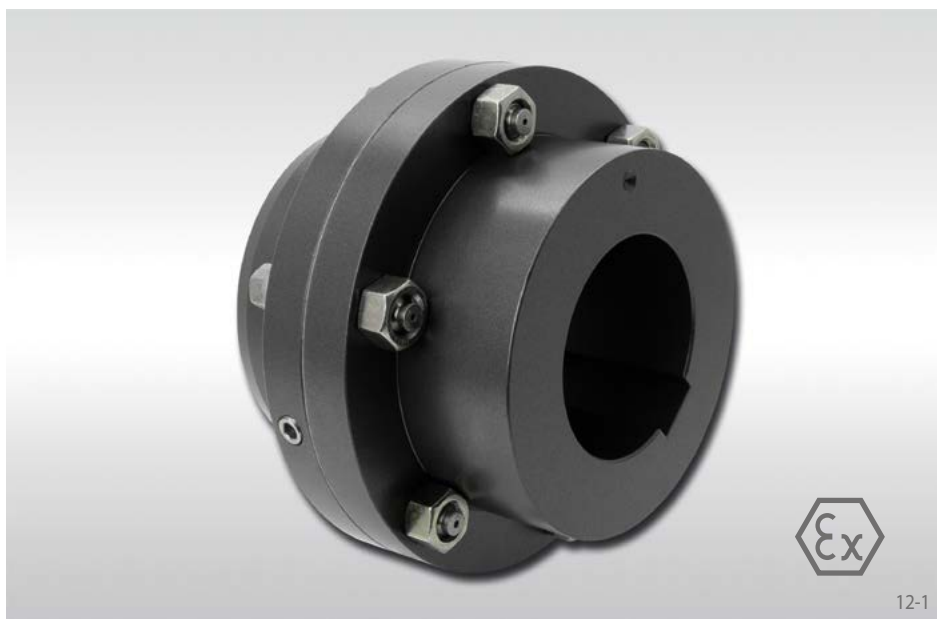
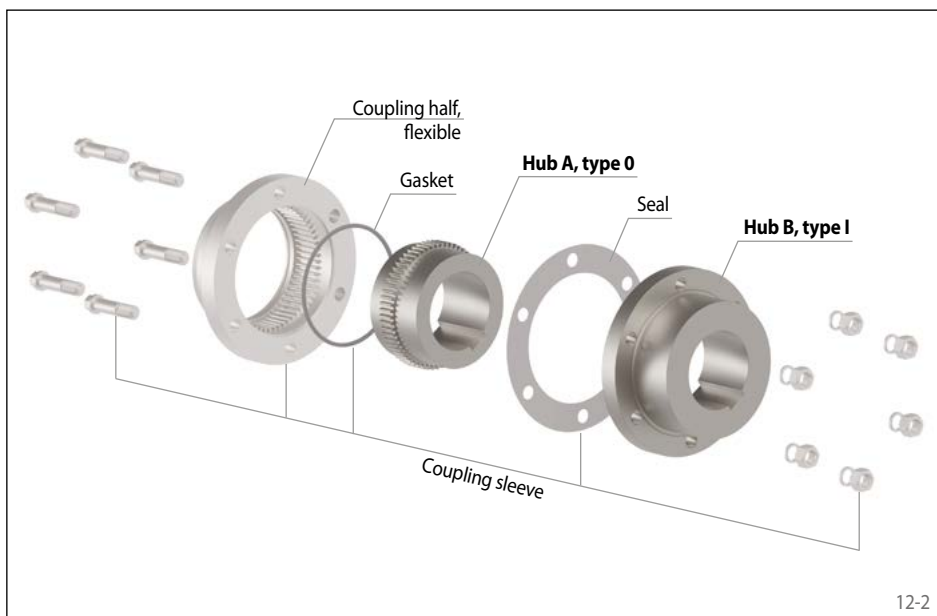


Gear Couplings RDZ ... DFO

torsionally rigid
single engagement gearing – lubricated



12-1



12-2

Features

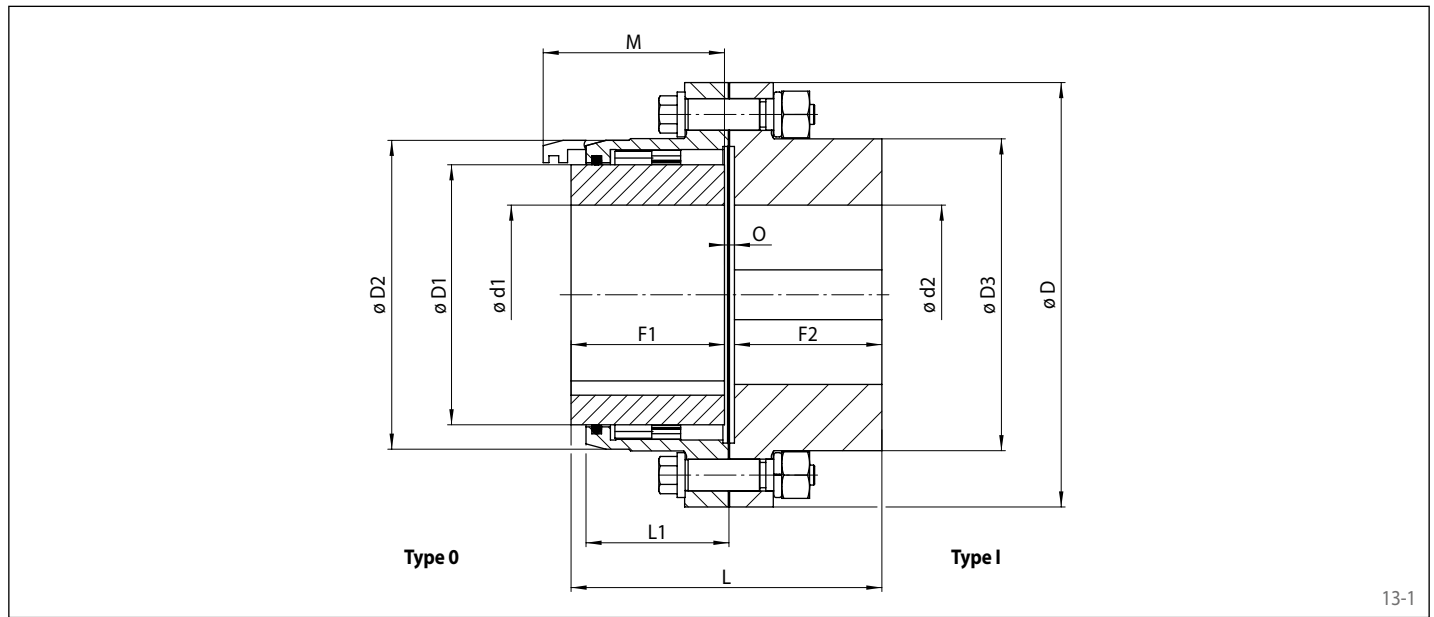
- High nominal torques up to 391 500 Nm
- Compensation of axial and angular misalignments
- Compact design due to inside turned hubs
- High power density
- Complies with ATEX 2014/34/EU
- Typical application: Roll drives in the steel and paper industry, pumps, conveyors, fans and blowers

Order example

	Code
Coupling design	RDZ
Coupling size	0010
Type	DFO
Material of the hub: • Steel	STA
Hub A, type: • 0, standard	0
Hub A, design: • finish bored with keyway • roughbored	FB VA
Bore diameter hub A	020
Hub B, type: • I, coupling half, rigid	1
Hub B, design: • finish bored with keyway • roughbored	FB VA
Bore diameter hub B	025

RDZ 0010 DFO-STA-0FB020-1FB025

torsionally rigid
single engagement gearing – lubricated



13-1

Coupling size	Nominal torque T_{KN} Nm	Nominal power at 100 min^{-1} P_{K100} kW	Max. speed n_{max} min^{-1}	Moment of inertia with max. bore J_K kgm^2	Permissible misalignments	
					Axial mm	Angular °
0010	1330	14	8000	0,0055	± 0,25	0,75
0015	2860	30	6500	0,0204	± 0,25	
0020	5000	53	5600	0,0436	± 0,25	
0025	10000	105	5000	0,1110	± 0,25	
0030	16000	168	4400	0,2100	± 0,25	
0035	22000	231	3900	0,4770	± 0,5	
0040	32000	336	3600	0,9200	± 0,5	
0045	45000	472	3200	1,4680	± 0,5	
0050	62000	650	2900	2,7300	± 0,5	
0055	84000	880	2650	4,2000	± 0,5	
0060	115000	1205	2450	5,7000	± 1	
0070	174000	1823	2150	12,0500	± 1	
0080	252000	2639	1750	21,7700	± 1	
0090	290000	3037	1550	36,6000	± 1	
0100	391500	4100	1450	56,2700	± 1,5	

Coupling size	Pilot bore d^* mm	Min. bore d^* mm	Max. bore d^* mm		D mm	D1 mm	D2 mm	D3 mm	F1 mm	F2 mm	L mm	L1 mm	M** mm	O mm	Weight with max. bore kg
			Hub type 0 mm	Hub type I mm											
0010	13	15	52	60	116	69	84	84	43	40	87	39	51	4	4,5
0015	19	21	65	80	152	86	105	107	50	47	101	48	61	4	9,5
0020	26	28	80	90	178	105	127	130	62	59	125	60	76	4	15,5
0025	30	32	98	110	213	131	155	157	77	74	156	72	92	5	27,5
0030	36	38	115	130	240	152	181	182	91	88	184	84	106	5	41,5
0035	36	38	135	150	279	178	211	212	107	102	215	98	130	6	67,0
0040	36	38	160	180	318	210	250	250	121	116	245	111	145	8	100,0
0045	50	52	180	200	346	235	274	276	135	131	274	123	165	8	135,0
0050	69	71	195	220	389	254	306	309	153	148	310	141	183	9	195,0
0055	68	70	215	240	425	279	334	334	168	173	350	158	203	9	261,0
0060	105	110	235	260	457	305	366	366	188	185	384	169	228	10	316,0
0070	105	110	280	300	527	356	425	425	221	218	452	196	266	13	500,0
0080	105	110	285	335	590	385	485	470	249	249	511	243	300	13	715,0
0090	145	150	300	370	660	420	535	518	276	276	567	265	325	15	969,0
0100	155	160	330	405	711	470	595	572	305	305	626	294	355	16	1259,0

For finish bores, please specify bore diameter hub A and hub B. Tolerance of finish bores H7. Keyways in accordance with DIN 6885, sheet 1. Keyway tolerance J59, different bore and keyway tolerances on request.

* Bores also available in inch size, see page 65. ** Minimum necessary space to align the shafts.