

Brake Caliper MV ... FEM

spring activated – electromagnetically released



Issue 03/2025 · Technical details subject to change without notice.

E09.071e



Brake Caliper MV 022 FEM

spring activated – electromagnetically released



2-1

Features	Code
Brake Caliper with electromagnet	M
Mounting on the machine parallel to the brake disc	V
Frame size 022	022
Spring activated	F
Electromagnetically released	E
Manual adjustment to accommodate friction block wear	M
Supply voltage 220 to 240 VAC	240
Supply voltage 380 to 480 VAC	480
Electromagnet mounted in central position	M
Thickness of brake disc 12,5 mm or 20 mm	12 20

Example for ordering

Brake Caliper MV 022 FEM, supply voltage 400 VAC, electromagnet mounted in central position, thickness of brake disc 12,5 mm:

MV 022 FEM - 480 M - 12

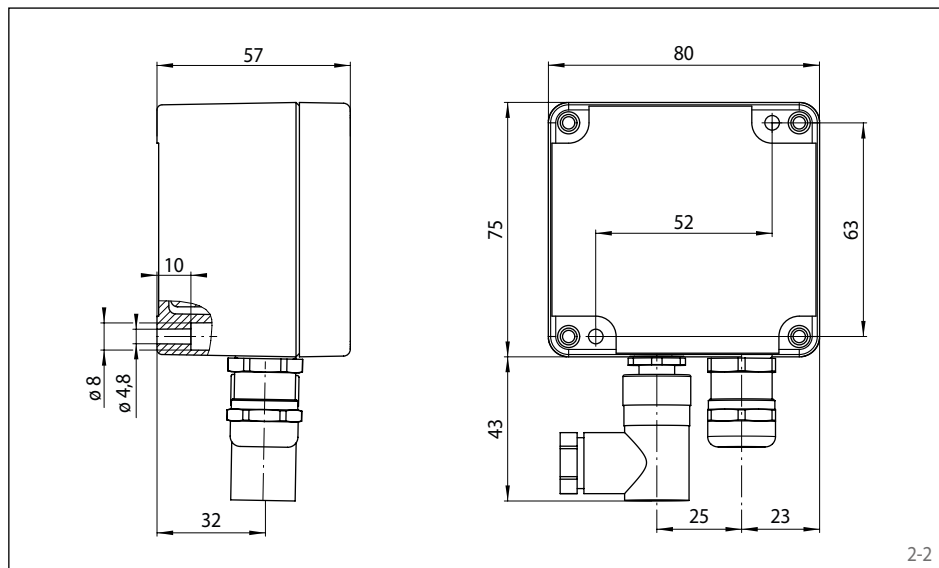
Advantages

The brake caliper MV 022 FEM is a very compact and high efficient disc brake with very low power consumption. Its floating bearing compensates small misalignments of the brake disc. The enclosed and robust design enables use in difficult ambient conditions with frequent braking operations. The attached electronic reduces the power consumption in open position automatically.

Options

- Inductive proximity switch: "Brake released"-status and/or "Friction block wear adjustment necessary"
- Lever for manual and controlled opening of the brake
- Mounting compensation shims up to approx. 2 mm

Electronic module



2-2

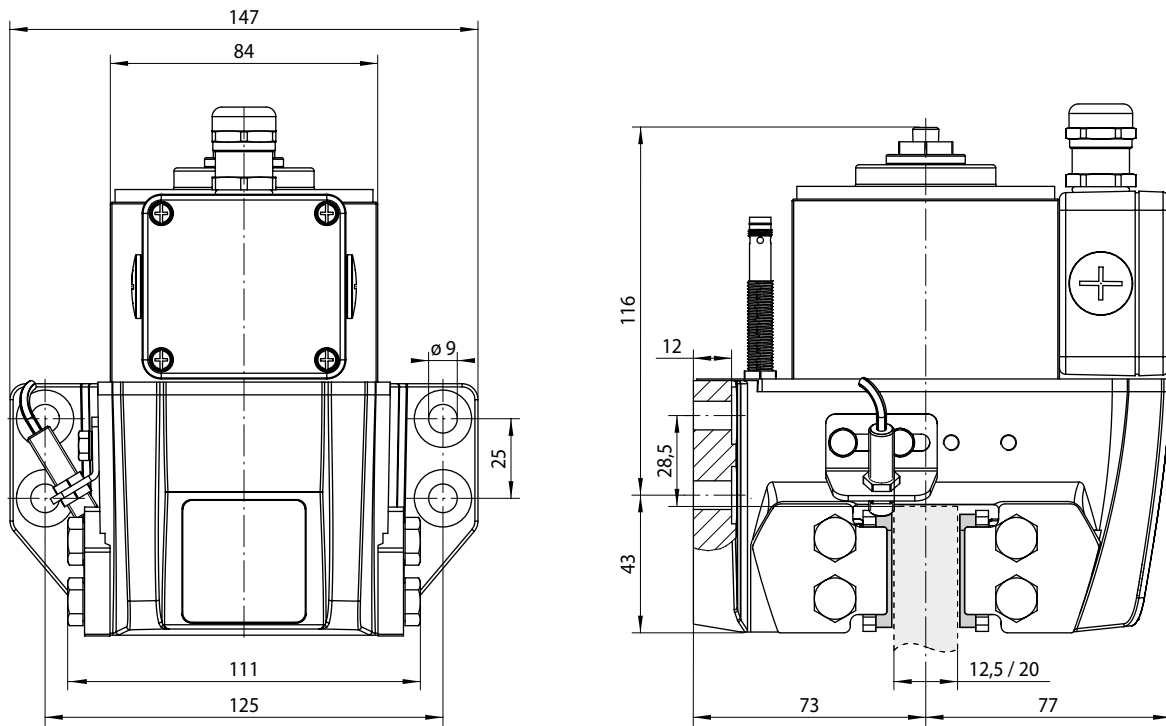
Technical Data

	Brake Caliper MV 022 FEM with supply voltage	
	220 to 240 VAC	380 to 480 VAC
Brake disc diameter	Braking torque	Braking torque
mm	Nm	Nm
200	250	
250	320	
300	400	
355	480	
430	600	
520	740	
630	900	
710	1000	
900	1300	
Clamping force	3800 N	
Power consumption in open position	20 W	25 W
Max. number of actuation	360/h	
Weight	8 kg	

The braking torques shown in the table are based on a theoretical friction coefficient of 0,4.

Brake Caliper MV 022 FEM

spring activated – electromagnetically released



Brake Caliper MV 033 FEM

spring activated – electromagnetically released



Features	Code
Brake Caliper with electromagnet	M
Mounting on the machine parallel to the brake disc	V
Frame size 033	033
Spring activated	F
Electromagnetically released	E
Manual adjustment to accommodate friction block wear	M
Supply voltage 220 to 240 VAC	240
Supply voltage 380 to 480 VAC	480
Electromagnet mounted in central position	M
Thickness of brake disc 12,5 mm or 25 mm	12 25

Example for ordering

Brake Caliper MV 033 FEM, supply voltage 400 VAC, electromagnet mounted in central position, thickness of brake disc 12,5 mm:

MV 033 FEM - 480 M - 12

Advantages

The brake caliper MV 033 FEM is a very compact and high efficient disc brake with very low power consumption. Its floating bearing compensates small misalignments of the brake disc. The enclosed and robust design enables use in difficult ambient conditions with frequent braking operations. The attached electronic reduces the power consumption in open position automatically.

Options

- Inductive proximity switch: “Brake released”-status and/or “Friction block wear adjustment necessary”
- Lever for manual and controlled opening of the brake
- Mounting compensation shims up to approx. 2 mm

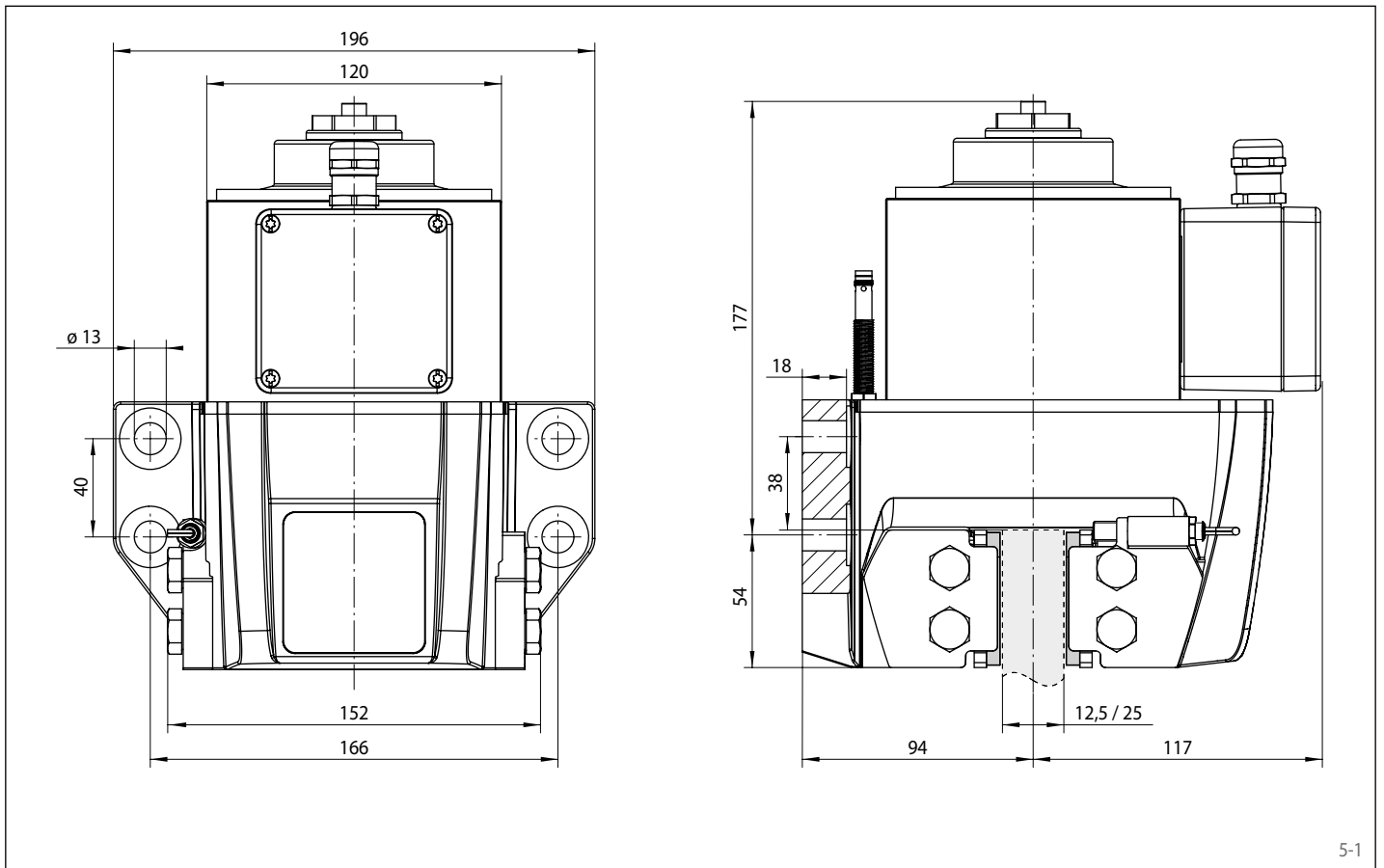
Technical Data

	Brake Caliper MV 033 FEM with supply voltage	
	220 to 240 VAC	380 to 480 VAC
Brake disc diameter	Braking torque	Braking torque
mm	Nm	Nm
300	1 200	
355	1 500	
430	1 800	
520	2 250	
630	2 800	
710	3 200	
900	4 100	
Clamping force	12 000 N	
Power consumption in open position	20 W	25 W
Max. number of actuation	360/h	
Weight	18 kg	

The braking torques shown in the table are based on a theoretical friction coefficient of 0,4.

Brake Caliper MV 033 FEM

spring activated – electromagnetically released



5-1

Brake Caliper MV 044 FEM

spring activated – electromagnetically released



Features	Code
Brake Caliper with electromagnet	M
Mounting on the machine parallel to the brake disc	V
Frame size 044	044
Spring activated	F
Electromagnetically released	E
Manual adjustment to accommodate friction block wear	M
Supply voltage 380 to 480 VAC	480
Electromagnet mounted in central position	M
Thickness of brake disc 25 mm or 30 mm	25 30

Example for ordering

Brake Caliper MV 044 FEM, supply voltage 400 VAC, electromagnet mounted in central position, thickness of brake disc 25 mm:



MV 044 FEM - 480 M - 25

Advantages

The brake caliper MV 044 FEM is a very compact and high efficient disc brake with very low power consumption. Its floating bearing compensates small misalignments of the brake disc. The enclosed and robust design enables use in difficult ambient conditions with frequent braking operations. The attached electronic reduces the power consumption in open position automatically.

Options

- Inductive proximity switch: “Brake released”-status and/or “Friction block wear adjustment necessary”
- Lever for manual and controlled opening of the brake
- Mounting compensation shims up to approx. 2 mm

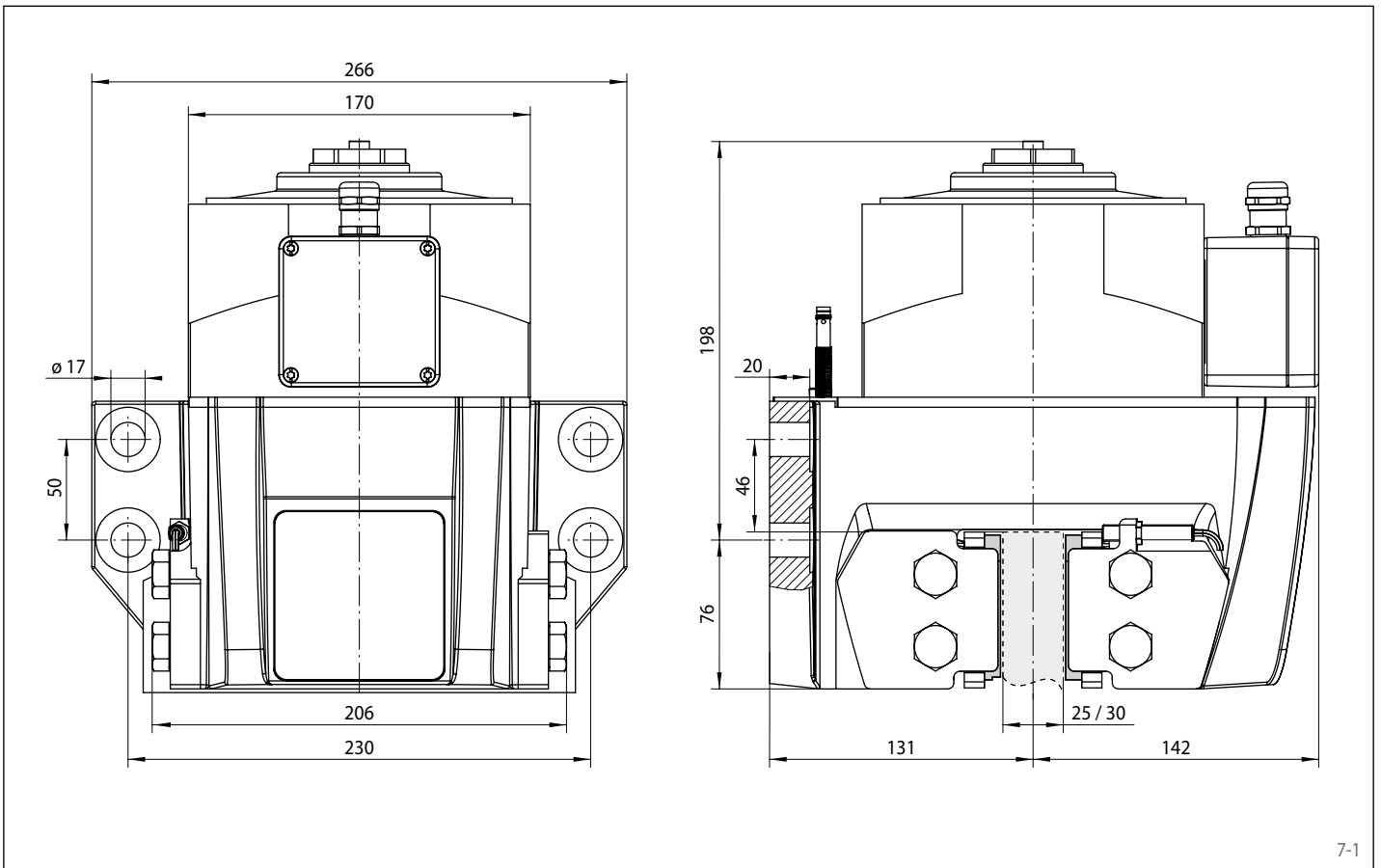
Technical Data

Brake Caliper MV 044 FEM with supply voltage 380 to 480 VAC	
Brake disc diameter mm	Braking torque Nm
355	2 800
430	3 600
520	4 500
630	5 600
710	6 400
900	8 300
Clamping force	25 000 N
Power consumption in open position	30 W
Max. number of actuation	360/h
Weight	45 kg

The braking torques shown in the table are based on a theoretical friction coefficient of 0,4.

Brake Caliper MV 044 FEM

spring activated – electromagnetically released



Germany

RINGSPANN GmbH

Schaberweg 30-38, 61348 Bad Homburg
Germany • +49 6172 275 0
info@ringspann.de • www.ringspann.de

RINGSPANN RCS GmbH

Hans-Mess-Straße 7, 61440 Oberursel, Germany
+49 6172 6768 50
info@ringspann-rcs.de • www.ringspann-rcs.de

Bosnia and Herzegovina, Serbia,
Croatia, Montenegro, Kosovo,
North Macedonia, Albania

RINGSPANN Bosanska Krupa d.o.o.

Radnicka bb, 77240 Bosanska Krupa, Bosnia and
Herzegovina • +387 37 961 444
info@ringspann.ba • www.ringspann.ba

France

RINGSPANN France S.A.

23 rue Saint-Simon, 69009 Lyon, France
+33 4 78 83 59 01
info@ringspann.fr • www.ringspann.fr

Great Britain, Ireland

RINGSPANN (U.K.) LTD.

3, Napier Road, Bedford MK41 0QS, Great Britain
+44 1234 34 25 11
info@ringspann.co.uk • www.ringspann.co.uk

Italy

RINGSPANN Italia S.r.l.

Via A.D. Sacharov, 13, 20812 Limbiate (MB), Italy
+39 02 93 57 12 97
info@ringspann.it • www.ringspann.it

Netherlands, Belgium, Luxembourg

RINGSPANN Benelux B.V.

Nieuwenkampsmaten 6-15, 7472 DE Goor,
Netherlands • +31 547 26 13 55
info@ringspann.nl • www.ringspann.nl

Austria, Czech Republic,
Hungary, Slovakia, Slovenia

RINGSPANN Austria GmbH

Triesterstraße 21, 2620 Neunkirchen, Austria
+43 2635 62446
info@ringspann.at • www.ringspann.at

Poland

Radius-Radpol Wiecheć Sp.J.
Ul. Pasjonatów 3, 62-070 Dąbrowa, Poland
+48 61 814 39 28 • info@radius-radpol.com.pl
www.radius-radpol.com.pl

Romania, Bulgaria, Moldova

S.C. Industrial Seals and Rolls S.R.L.
Str. Depozitelor, No. 29, 110078 Pitesti, Romania
+4 0751 22 82 28
mihai@isar.com.ro • www.isar.com.ro

Sweden, Finland, Denmark,
Norway, Baltic states

RINGSPANN Nordic AB

Flottiljgatan 69, 721 31 Västerås, Sweden
+46 156 190 98
info@ringspann.se • www.ringspann.se

Switzerland

RINGSPANN AG

Sumpfstrasse 7, P.O. Box, 6303 Zug,
Switzerland • +41 41 748 0900
info@ringspann.ch • www.ringspann.ch

Spain, Portugal

RINGSPANN IBERICA S.A.

C/Uzbina, 24-Nave E1, 01015 Vitoria, Spain
+34 945 22 77-50
info@ringspann.es • www.ringspann.es

Turkey, Azerbaijan, Kazakhstan,
Kyrgyzstan, Tajikistan, Turkmenistan,
Uzbekistan

RINGSPANN Turkey Güç Aktarım Sistemleri Ticaret Limited İrketi

Fatih Sultan Mehmet Mah, Poligon Cad. Buyaka 2
Sitesi 3 Blok No: 8 İç Kapı No: 1, 34771 Ümraniye /
Istanbul, Turkey • +90 532 165 7760
info@ringspann.tr • www.ringspann.tr

Ukraine

"START-UP" LLC.
Saltivske Hwy, 43, letter G-3, office 101,
Kharkiv 61038, Ukraine • +38 057 717 03 04
start-up@start-up.kh.ua • www.start-up.kh.ua

Asia

Australia, New Zealand

RINGSPANN Australia Pty Ltd

10 Network Drive, Carrum Downs Vic 3201,
Australia • +61 3 9069 0566
info@ringspann.com.au • www.ringspann.com.au

China, Taiwan

RINGSPANN Power Transmission (Tianjin) Co., Ltd.

No. 21 Gaoyan Rd., Binhai Science and Technology
Park, Binhai Hi-Tech Industrial, Development Area,
Tianjin, 300458, P.R. China • +86 22 59803160
info.cn@ringspann.cn • www.ringspann.cn

India, Bangladesh, Nepal

RINGSPANN Power Transmission India Pvt. Ltd.

GAT No: 679/2/1, Village Kuruli, Taluka Khed, Chakan-
Alandi Road, Pune - 410501, Maharashtra, India
+91 21 35 67 75 00 • info@ringspann-india.com
www.ringspann-india.com

Singapore, ASEAN

RINGSPANN Singapore Pte. Ltd.

143 Cecil Street, #17-03 GB Building,
Singapore 069542 • +6012 589 8975
info@ringspann.sg • www.ringspann.sg

South Korea

RINGSPANN Korea Ltd.

33 Gojae-17 Ghil Dongnam-gu, 31187 Cheonan-si
Chungnam, South Korea • +82 10 54961 368
info@ringspann.kr • www.ringspann.kr

America

Brazil

RINGSPANN do Brasil Ltda.

Rua Vereador Oclésio Antonio Rebutini, 480
CEP 13.287-012, Vinhedo/SP, Brazil
+55 97503 9323
info@ringspann.com.br • www.ringspann.com.br

Chile, Peru, Colombia, Ecuador

RINGSPANN Sudamérica SpA

Miraflores 222, Piso 28-N, Santiago,
Región Metropolitana, Chile • +56 9 9147 2833
info@ringspannsudamerica.com
www.ringspannsudamerica.com

USA, Canada, Mexico

RINGSPANN Corporation

10550 Anderson Place, Franklin Park, IL 60131, USA
+1 847 678 35 81
info@ringspann.us
www.ringspanncorp.com

Africa and Middle East

Egypt

Shofree Trading Co.
218 Emtedad Ramsis 2, 2775 Nasr City, Cairo, Egypt
+20 2 20 81 20 57
info@shofree.com • www.ringspann.com

Maghreb, West Africa

RINGSPANN France S.A.

23 rue Saint-Simon, 69009 Lyon, France
+33 4 78 83 59 01
info@ringspann.fr • www.ringspann.fr

Israel

Getter Group GG Yarom
4 Boltimor St., Petah Tikva, 4951015, Israel
+972 3 557 01 15
noam_a@gg.co.il • www.ringspann.com

South Africa, Sub-Saharan

RINGSPANN South Africa (Pty) Ltd.

96 Plane Road Spartan, Kempton Park,
P.O. Box 8111 Edenglen 1613, South Africa
+27 11 394 18 30
info@ringspann.co.za • www.ringspann.co.za