

**Installation and Operating Instructions for
Cone Clamping Elements RLK 404 light
for applications with low contact pressure**

E 03.657e



RINGSPANN GmbH

Schaberweg 30-34
61348 Bad Homburg
Germany

Telephone +49 6172 275-0
Telefax +49 6172 275-275

www.ringspann.com
info@ringspann.de

RINGSPANN	Installation and Operating Instructions for Cone Clamping Elements RLK 404 light for applications with low contact pressure according to E 03.029	E 03.657e			
Issue: 04.09.2017	Version: 03	drawn: REIW	checked: EISF	Pages: 5	Page: 2

IMPORTANT

Please read these instructions carefully before installing and operating the product. Your particular attention is drawn to the notes on safety.

These installation and operating instructions are valid on condition that the product meets the selection criteria for its proper use. Selection and design of the product is not the subject of these installation and operating instructions.

Disregarding or misinterpreting these installation and operating instructions invalidates any product liability or warranty by RINGSPANN; the same applies if the product is taken apart or changed.

These installation and operating instructions should be kept in a safe place and should accompany the product if it is passed on to others -either on its own or as part of a machine- to make it accessible to the user.

SAFETY NOTICE

- Installation and operation of this product should only be carried out by skilled personnel.
- Repairs may only be carried out by the manufacturer or accredited RINGSPANN agents.
- If a malfunction is indicated, the product or the machine into which it is installed, should be stopped immediately and either RINGSPANN or an accredited RINGSPANN agent should be informed.
- Switch off the power supply before commencing work on electrical components.
- Rotating machine elements must be protected by the purchaser to prevent accidental contact.
- Supplies abroad are subject to the safety laws prevailing in those countries.

This is a translation of the German original version!

In case of inconsistencies between the German and English version of this installation and operating instruction, the German version shall prevail.

1. General information

1.1 Function:

Cone Clamping Elements RLK 404 light are internal clamping connections for backlash free fastening of hubs on shafts. By tightening clamping screws surfaces are pulled together generating radial forces; these forces create a frictional connection between the Cone Clamping Element and the shaft as well as the hub. Torques or axial forces can be transmitted from the shaft via the Cone Clamping Element to the hub.

1.2 General safety instructions:



Caution! Danger of injury!

The immediate vicinity of the rotating shrink disc must be kept clear of body parts, hair, clothing and other objects at all times.

2. Configuration and function

The Cone Clamping Element RLK 404 light consist of two inner rings 1 + 2 with outside cone and an outer ring 4 with inside cone as well as a number of clamping screws 3.(see Fig. 1). The inner rings are drawn against each other by tightening the clamping screws. Radial clamping forces are generated by the conical surfaces which are dependent on the torques of the clamping screws, the cone angel and the friction coefficients at the screws and conical surface. The radial clamping forces press the outer ring into the hub bore and the inner rings onto the shaft and create a friction connection at the respective contact surfaces. In this way, torque and/or axial force can be transmitted between the shaft and the hub.

3. Cross-sectional drawing and parts list

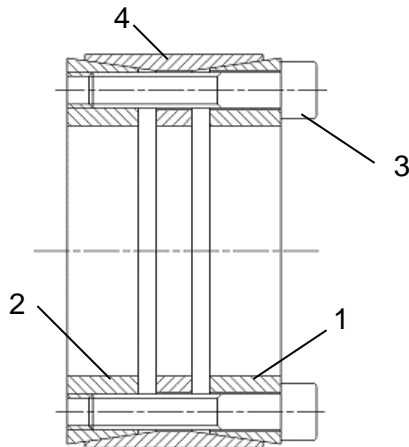


Fig. 1

Pos.	Nomenclature
1	Front Inner ring
2	Rear inner ring
3	Clamping screw
4	Outer ring

4. Proper use

The Cone Clamping Elements RLK 404 light are designed for installation between the shaft and the hub bore. They are intended solely for the friction-tight mounting of hubs or to shafts in order to transmit torque and/or axial forces. All other uses are prohibited. RINGSPANN shall not be liable for damages caused by improper use. The user bears all resulting risks.

RINGSPANN	Installation and Operating Instructions for Cone Clamping Elements RLK 404 light for applications with low contact pressure according to E 03.029			E 03.657e	
	Issue: 04.09.2017	Version: 03	drawn: REIW	checked: EISF	Pages: 5 Page: 4

5. Improper use

The Cone Clamping Elements RLK 404 light are not suitable for:

- for the direct mounting of hollow shafts to solid shafts or
- as torque-limiting safety devices.

6. Condition on delivery

The clamping elements are delivered in tension-free condition. The clamping elements are wrapped in anti-corrosive packing material and are ready to install as delivered.

7. Technical requirements for safe, reliable operation

In order to achieve full transmission of torque and/or axial forces, **tolerance** on contact-pressure surfaces

- may not exceed tolerance class h8 for shafts
- or tolerance class H8 for hub bores.

In addition, pressure-contact **surfaces** on shafts and hubs must have a mean peak-to-valley height $R_a < 3,2 \mu\text{m}$.

Shaft and hub must be manufactured from **materials** with the following mechanical properties:

- E-module about 170 kN/mm^2

8. Mounting

8.1 Clean the contact surfaces between the shaft and the hub thoroughly.

8.2 Apply a light coat of oil to the clamping element.



Do not use oil which contains molybdenum disulphide or high-pressure additives, and do not use grease!

8.3 Insert the clamping element in the hub of the part to be clamped and push it onto the shaft. Apply pressure only to the clamping screw heads on the front inner ring.



Note: When used in closed-end bores or on shaft shoulders, an axial play for dismantling the rear inner ring should be kept.

8.4 Tighten the clamping screws diagonally across by hand while aligning the hub.



Don't start to tighten the screws located directly to the right and to the left of the slit!

8.5 With a torque wrench tighten the clamping screws diagonally across with half the tightening torque M_s . (see section 11). Continue once clockwise with half tightening torque M_s .

8.6 Tighten the clamping screws one after the other with the full tightening torque M_s .



Don't start to tighten the screws located directly to the right and to the left of the slit!



The tightening process is only completed when none of the screws can be turned at the full specified torque M_s any further.



Replace missing or damaged clamping screws with identical screws of strength class 12.9 only!

9. Dismantling

9.1 All tightening screws completely unscrew from the cone clamping element.

9.2 Insert as much of the screws in the front inner ring them into the release holes, turning until they abut the flange of ring. (see Fig. 2)

Note: To facilitate the installation process, grind and grease the faces of the thread ends of the press-off screws as well as the threads. This reduces friction loss.

9.3 Tighten the screws in the release holes crosswise in multiple steps until the front inner ring is loosened. Remove the ring.

9.4 Insert as much of the screws in the flange of outer ring them into the release holes, turning until they abut with the rear inner ring. (see Fig. 3)

9.5 Tighten the screws in the released holes uniformly in a crosswise sequence in multiple steps until the rear inner ring is loosened.

9.6 Remove the clamping devices together with the machine component from the shaft.

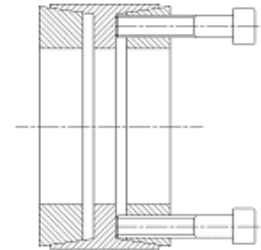


Fig. 2

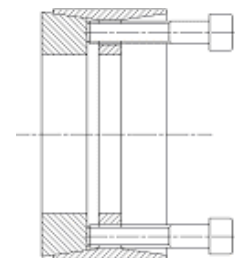


Fig. 3

10. Maintenance

The Cone Clamping Elements RLK 404 light are maintenance-free. However, signs of loosening may appear in connections during operation. We therefore recommend checking the tightening torques of the clamping screws during each time maintenance is performed on the machine.

11. Tightening torque M_s

Size d x D [mm]	Clamping screws	Tightening torque M_s [Nm]
70 x 110	M 10	48
75 x 115	M 10	48
80 x 120	M 10	48
85 x 125	M 10	48
90 x 130	M 10	48
95 x 135	M 10	48
100 x 145	M 12	84
110 x 155	M 12	84
120 x 165	M 12	84
130 x 180	M 12	84
140 x 190	M 12	84
150 x 200	M 12	84
160 x 210	M 12	84
170 x 225	M 14	133
180 x 235	M 14	133
190 x 250	M 14	133
200 x 260	M 14	133
220 x 285	M 16	206
240 x 305	M 16	206
260 x 325	M 16	206

Size d x D [mm]	Clamping screws	Tightening torque M_s [Nm]
280 x 355	M 20	415
300 x 375	M 20	415
320 x 405	M 20	415
340 x 425	M 20	415
360 x 455	M 22	567
380 x 475	M 22	567
400 x 495	M 22	567
420 x 515	M 22	567
440 x 535	M 22	567
460 x 555	M 22	567
480 x 575	M 22	567
500 x 595	M 22	567
520 x 615	M 22	567
540 x 635	M 22	567
540 x 635	M 22	567
560 x 655	M 22	567
580 x 675	M 22	567
600 x 695	M 22	567